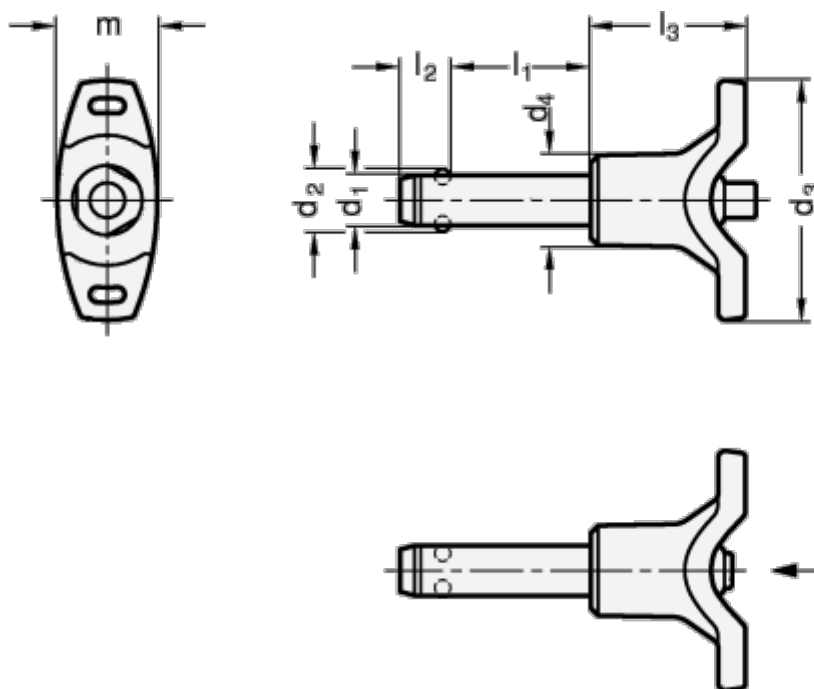


Article number: 2011381025

Description: E+G stainless steel-ball lock pin  
GN 113.8-10-25

## Measures



d1 = 10  
d2 = 12.0  
d3 = 48  
d4 = 18.0  
l1 = 25  
l2 = 9.6  
l3 = 31.0  
m = 20.5

Resilience (N) = 100